



Multi-speed switch CDP-2/5 CDP-3/5

■ Use

- On/off switch and speed switch for multi-speed fans.

■ Design

- Casing made of high-quality plastic.
- Flush wall mounting.
- IP 40 ingress protection rating.

■ Control

- Switching of fan speed according to diagram 1 and switching of fan speed in parallel with switching the light in the room, diagram 2.

■ Mounting

- Indoor wall flush mounting in a mounting box.
- Suitable for installation in standard electric junction boxes.

■ Specifications

Parameters	CDP-2/5	CDP-3/5
Voltage, 50 Hz [V]	1~ 230	
Rated current [A]	3,0	
Number of speeds	2	3
Overall dimensions AxBxC [mm]	88x88x51	
Max. operating temperature [°C]	40	
Ingress Protection	IP 40	

■ Wiring diagram options

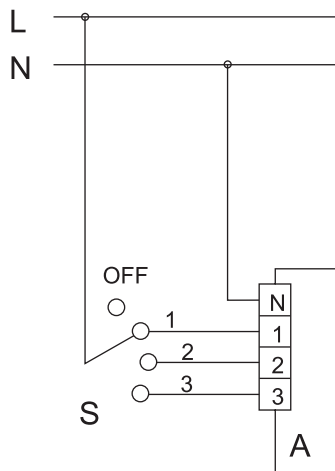


Diagram 1. The external switch S (CDP-3/5) switches the fan to one of three speeds and switches it off.

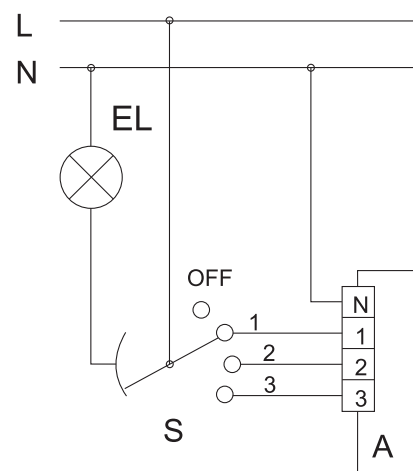


Diagram 2. The external switch S (CDP-3/5) switches the fan to one of three speeds and switches it off with parallel switching on/off the light in the room.