

CLASSIC MODEL



Aero 100
Aero 125
Aero 150



Aero
Gold



Aero
Chrome

■ Use

- Exhaust air fan

■ Application

- Residential premises
- Flats, cottages
- Offices
- Utility spaces
- Trade premises
- Restaurants
- Job sites
- Health care facilities
- Child care facilities

■ Options

Pull-cord switch

Pull-cord switch

Timer

Timer

- Time delay range from 2 to 30 min

Humidity sensor

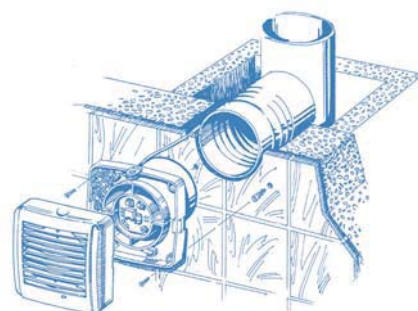
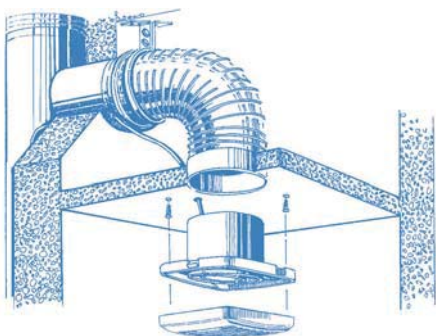
Humidity

- Humidity level range from 60 to 90%
- Time delay range from 2 to 30 min

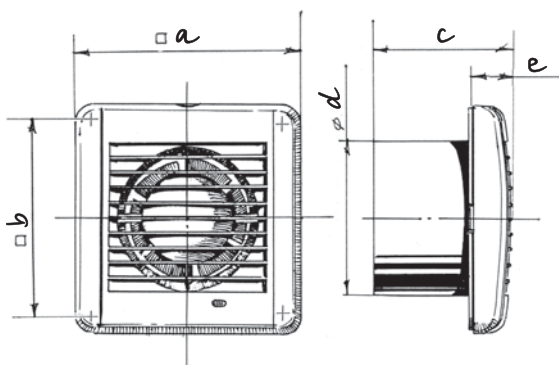
■ Features

- Wall and ceiling mounting
- Easy maintenance
- Long continuous work
- Back valve
- Ball bearing motor
- Decoration - Aero Chrome, Aero Gold
- 5 years guarantee

Type	Pull-cord switch	Timer	Humidity sensor
Aero 100			
100 S	●		
100 T		●	
100 ST	●	●	
100 H		●	●
100 SH	●	●	●
Aero 125			
125 S	●		
125 T		●	
125 ST	●	●	
125 H		●	●
125 SH	●	●	●
Aero 150			
150 S	●		
150 T		●	
150 ST	●	●	
150 H		●	●
150 SH	●	●	●

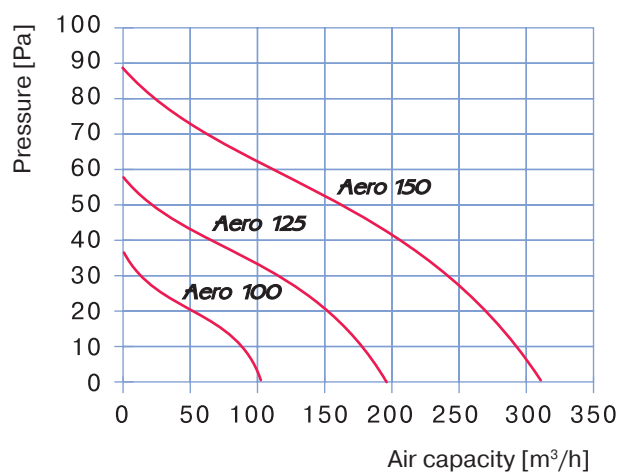


Overall and mounting dimensions



Type	Dimensions [mm]				
	a	b	c	d	e
Aero 100	144	122	92.5	100	29.5
Aero 125	168	144	97	125	30
Aero 150	198	170	119	150	30

Technical data



Parameters	Aero 100	Aero 125	Aero 150
Voltage [V]	220-240	220-240	220-240
Power [W]	14	16	24
Air capacity [m³/h]	102	193	309
Noise level [dB(A) 3m]	38	39	40
r.p.m.	2300	2400	2400



Packing

