

FAQ:

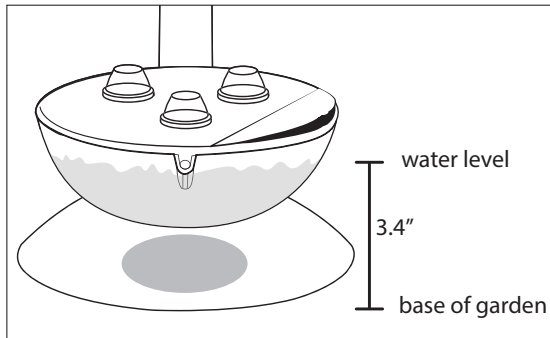
Q: How do I know it is working?

A: As the AeroVair is filling the AeroGarden you will periodically hear bubbling sounds from the AeroVair. These sounds become less frequent and then stop as the water level in the AeroGarden bowl reaches 3.4" above AeroGarden base (as described in Step 6).

If you start the AeroVair with the AeroGarden water bowl *full*, you may not hear any bubbling until the water level in the AeroGarden drops. If your Tubing and Primer Pump *do not* contain bubbles, your system should be primed and ready to go.

If it is not working:

- 1) AeroVair will not appear to work if AeroGarden water level is above 3.4" inches from the base of the garden (see diagram).
- 2) Look for bubbles in the top bend of Outlet Tube. If bubbles are present, continue to prime Pump to remove bubbles. Be sure the end of Outlet Tube is completely submerged while priming.
- 3) Make sure there are no kinks in the Tubing and that Tubing is not pinched beneath the Stand.

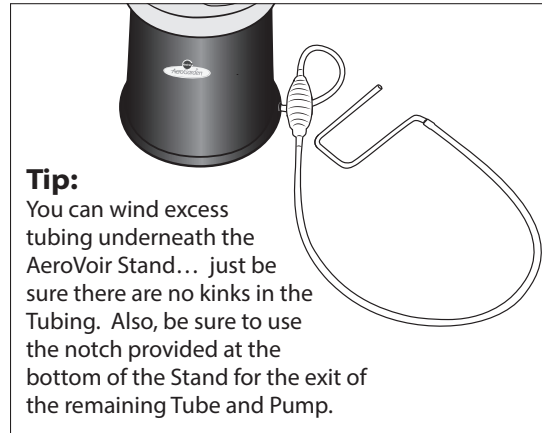


Q: Why isn't my AeroGarden filling to the top?

A: The AeroVair is designed to fill your garden to 3.4" from the base of the garden to keep your garden from running dry. It stops at this point to keep from over-filling.

Q: Do I add nutrients to the AeroVair?

A: No. Keep adding nutrients directly into the AeroGarden water bowl when the reminder activates.



Tip:

You can wind excess tubing underneath the AeroVair Stand... just be sure there are no kinks in the Tubing. Also, be sure to use the notch provided at the bottom of the Stand for the exit of the remaining Tube and Pump.

AeroGrow has a searchable online resource section. For more detailed information about growing in your AeroGarden, please visit: www.aerogardensupport.com.

1-800-476-9669

customerservice@AeroGrow.com

facebook

We also have an active Facebook Community that loves to answer questions at facebook.com/aerogarden. "Like" us for special offers and community fun!



AeroGrow International, Inc., P.O. Box 18450, Boulder, CO 80308-1450
www.aerogarden.com

©2013 AeroGrow International, Inc.

0013-1015 AA



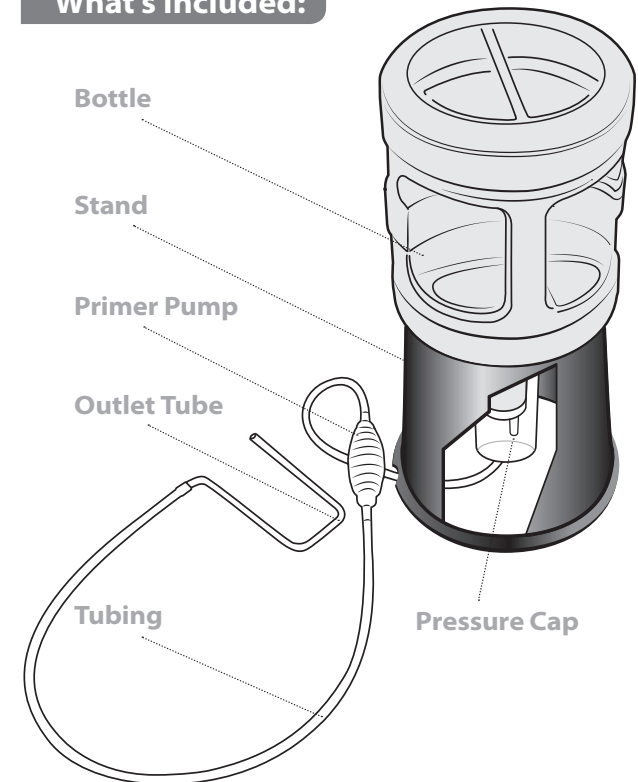
AeroVair AeroGarden Reservoir

The AeroVair AeroGarden Reservoir keeps your AeroGarden water bowl from going dry, adding up to two additional weeks between refills.

It's perfect for keeping your plants watered during longer vacations or just for keeping your water levels consistent for better growth.

The AeroVair works with all AeroGarden models.

What's Included:

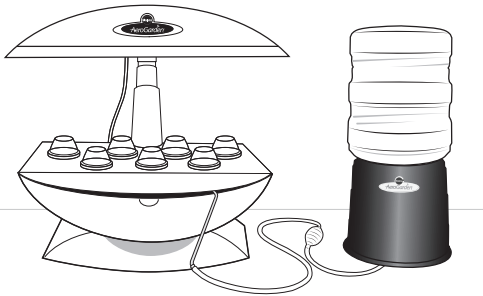


Easy Set-Up

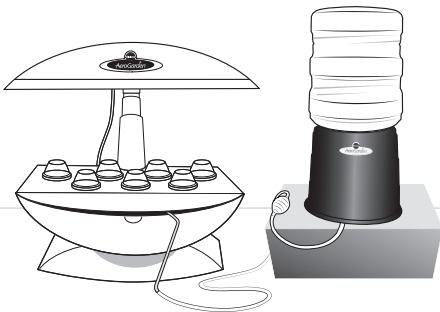
The **AeroVoir AeroGarden Reservoir** sets up easily in minutes. Just follow these easy steps:

IMPORTANT NOTE: Never set up the AeroVoir at a different height (lower or higher) than your AeroGarden. AeroVoir Stand must be placed level with the AeroGarden Base.

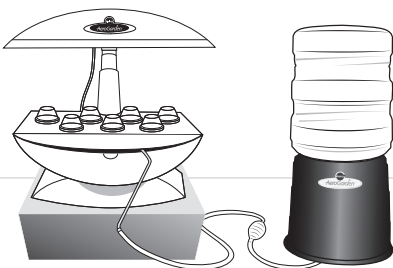
- Step 1** Place the AeroVoir on a smooth, flat surface, with the base of the AeroVoir Stand **at the same level** as the base of the AeroGarden.



- X** Placing the AeroVoir *higher* than the AeroGarden will result in overfilling or flooding.

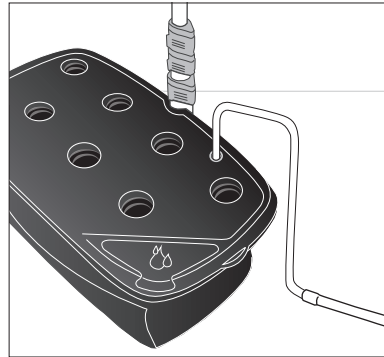


- X** Placing the AeroVoir *lower* than the AeroGarden will result in under-filling or lack of filling.

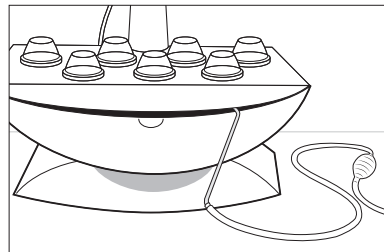
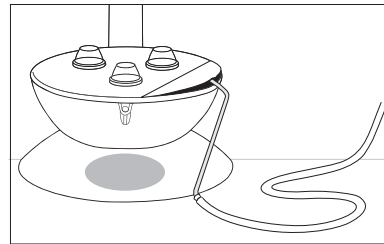


- Step 2** Place the Outlet Tube into the AeroGarden:

Through the AeroVoir inlet port of your AeroGarden ULTRA or new Miracle-Gro EXTRA (remove the small rubber plug), or...



Through the water fill port of any other AeroGarden model.



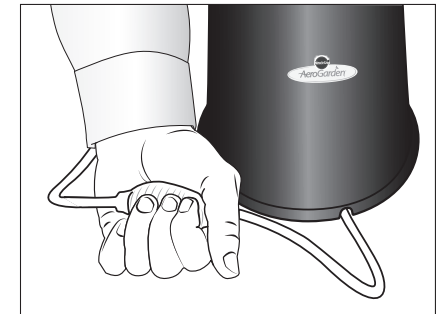
- Step 3** Make sure the end of the Outlet Tube reaches the bottom of the AeroGarden and is securely positioned. **End of Outlet Tube must be under water inside the AeroGarden.** Close the water fill port over the Outlet Tube.

- Step 4** Lift Bottle from AeroVoir and remove the Pressure Cap. Fill with tap water or distilled water and replace Pressure Cap.

- Step 5** Place a finger over each of the outlets on the Pressure Cap. Tip Bottle gently into Stand and set into place.



- Step 6** Squeeze Primer Pump 5-10 times until bubbles have run through the tubing. At this point, water should be slowly flowing through the Tubing into the AeroGarden. Water will not be flowing if the water level in the bowl is already 3.4" above the base of the AeroGarden.



The AeroVoir will keep filling the AeroGarden until fill height is reached, then will stop automatically. The AeroVoir auto-fills the AeroGarden to 3.4" above the base of the AeroGarden. This will be at about the fill line for the AG3, about half way up the fill tube for the AG7, Extra and ULTRA, and one quarter of the way up the fill tube for the AG6. As plants take up water, the AeroVoir will replace it, keeping the water level at this height as long as there is water in the Bottle.

When water level in the Bottle has dropped to empty or almost empty, the Bottle should be removed and refilled. Repeat Steps 5 and 6 after refilling.